

Contents

High pressure relief valve

Page 3 Introduction - High Pressure

Page 4 Seal & Spring Options

Page 5 Dimensions

Page 6 Materials of Construction

Low pressure relief valve

Page 7 Introduction - Low Pressure

Page 8 Seal & Spring Options

Page 9 Dimensions

Page 10 Materials of Construction

Page 11 How to Order



WARNING

FAILURE, IMPROPER SELECTION OR IMPROPER USE OF THE PRODUCTS AND/OR SYSTEMS DESCRIBED HEREIN OR RELATED ITEMS CAN CAUSE DEATH, PERSONAL INJURY AND PROPERTY DAMAGE.

This document and other information from Parker Hannifin Corporation, its subsidiaries or its authorized distributors provide product and/or system options for further investigation by users having technical expertise. It is important that you analyze all aspects of your application and review the information concerning the product or system in the current product catalog. Due to the variety of operating conditions and applications for these products or systems, the user, through its own analysis and testing, is solely responsible for making the final selection of the products and systems and assuring that all performance, safety and warning requirements of the application are met. The products described herein, including without limitation, product features, specifications, designs, availability and pricing, are subject to change by Parker Hannifin Corporation and its subsidiaries at any time without notice.

Offer of Sale

The items described in this document are available for sale by Parker Hannifin Corporation, its subsidiaries or its authorized distributors. Any sale contract entered into by Parker will be governed by the provisions stated in Parker's standard terms and conditions of sale (copy available upon request).

Introduction: High Pressure Relief Valve

The Parker High Pressure Relief Valve (HPRV) provides an automatic protection mechanism for process instrumentation systems. When upstream pressure exceeds the closing force exerted by the valve's spring, the lower stem opens and permits flow through the valve's outlet port - which can be ducted to a safe place or released to atmosphere. Flow rate increases proportionately to the increase in upstream pressure.

CE marked and certified to the highest Category-IV level of the Pressure Equipment Directive (PED), the HPRV valve's design provides users with accurate and consistent cracking and resealing operation. The valve's innovative seat design additionally operates over an extremely wide pressure range (150 to 6000 psi, 10.3 to 414 bar), providing a universal solution for the vast majority of instrumentation applications.

Pressure settings are externally adjustable. Eight different spring ranges provide greater system sensitivity and enhanced performance.



Features

- Captured moulded seat design is blow-out and chip resistant
- Colour coded springs and labels indicate spring cracking range
- Unique Tru-loc™ facility prevents accidental adjustment
- Lock wire feature secures a given pressure setting
- Low friction stem seal design prevents friction which increases accuracy of cracking pressure and reseal pressure
- Balanced poppet design ensures consistent cracking pressure regardless of system back pressure
- Orifice size: 3.6mm (0.142")
- Multiple end connections available

Specifications

Working Pressure

Maximum Cold Working Pressure: 6000 psi (414 bar). Up to 8000 psi (552 bar) during relief with no internal seal damage. Maximum back pressure: 2000 psi (137.9 bar).

Cracking Pressure

Eight springs, from 150 psi to 6000 psi in the following ranges: 150-375 psi, 325-775 psi, 725-1525 psi, 1475-2275 psi, 2225-3025 psi, 2975-4025 psi, 3975-5025 psi, 4975-6000 psi.

(See table on page 4 for bar equivalents).

Cracking pressure within 3% of set pressure.
Reseat pressure within 15% of cracking pressure.

Note: Valves which are not actuated for a period of time may initially crack at higher than set pressures.

Maximum Relieving Flow

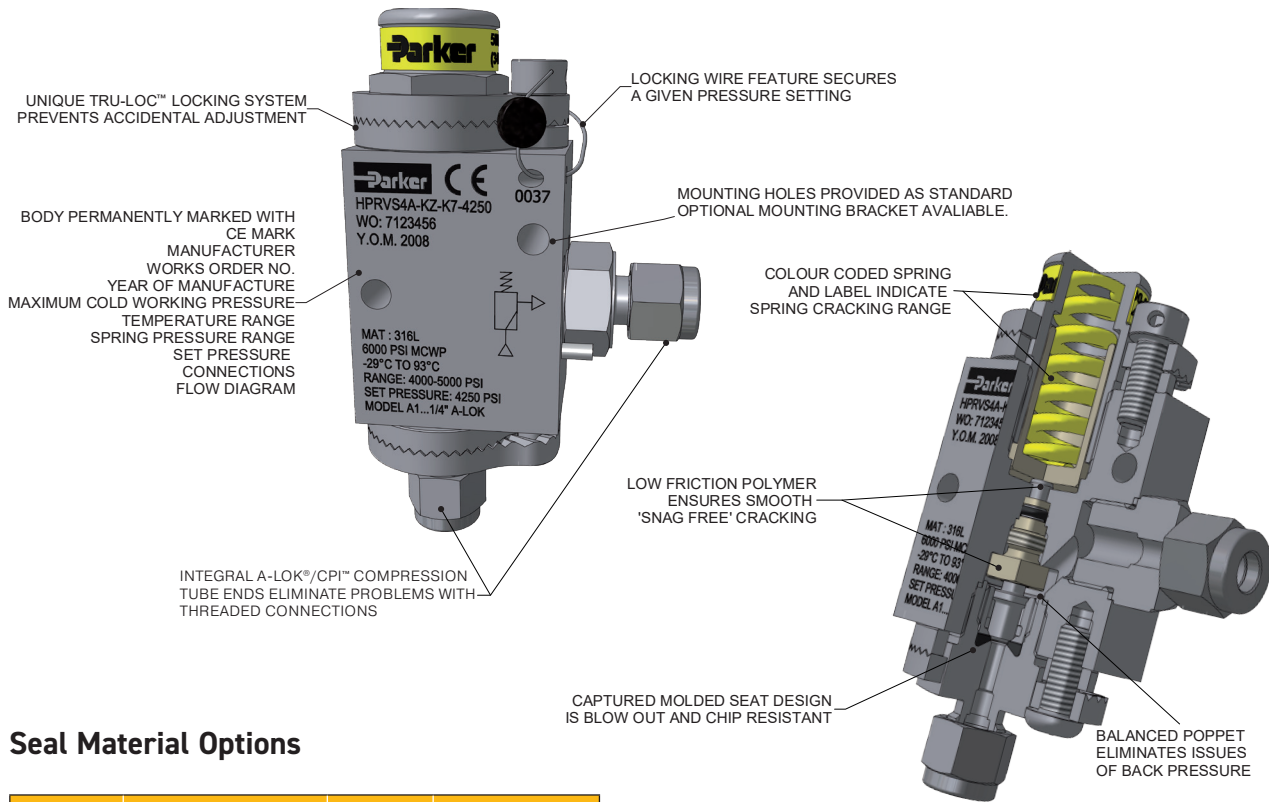
Water 1.686 l/min @ 150 psi with zero back pressure.
Nitrogen 313 l/min @ 150 psi with zero back pressure.

Note: For a 'safe' system the relieving flow capacity should exceed the maximum input flow. The maximum discharge capacity is not a given design specification for this valve, therefore the maximum discharge capacity quoted within the instructions is for informative purposes only. Should this guideline value not be sufficient to protect equipment or systems from exceeding maximum pressure, another type of relief or safety valve should be used.

IMPORTANT NOTE: These relief valves are not designed as safety relief valves. As such flow calculations are not available.

HPRV (High Pressure)

Seal & Spring Options



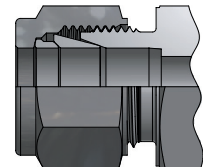
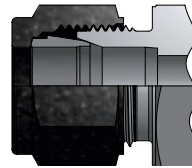
Seal Material Options

Designator	Material	Shore Hardness	Temperature Range
V	Fluorocarbon Rubber	90	-23°C to +204°C (-10°F to +400°F)
EPR	Ethylene Propylene Rubber	90	-57°C to +135°C (-70°F to +275°F)
BN	Nitrile Rubber (Buna-N)	90	-34°C to +107°C (-30°F to +225°F)
KZ	Highly Fluorinated Fluorocarbon Rubber	90	-29°C to +93°C (-20°F to +200°F)
NE	Neoprene Rubber	70	-43°C to +121°C (-45°F to +250°F)

Available End Connections

Z - Single ferrule CPI™ compression port

A - Two ferrule A-LOK® compression port

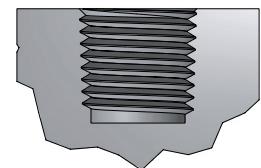
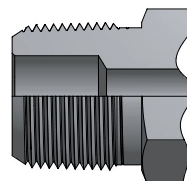


Spring Cracking Pressures

Designator	Pressure Range		Colour Code
	psi	bar	
K1	150-375	10.3-25.9	Grey
K2	325-775	22.4-53.4	Red
K3	725-1525	50.0-105.1	Orange
K4	1475-2275	101.7-156.9	Yellow
K5	2225-3025	153.4-208.6	Light Green
K6	2975-4025	205.1-277.5	Light Blue
K7	3975-5025	274.1-346.5	Violet
K8	4975-6000	343.0-414.0	Lemon Yellow

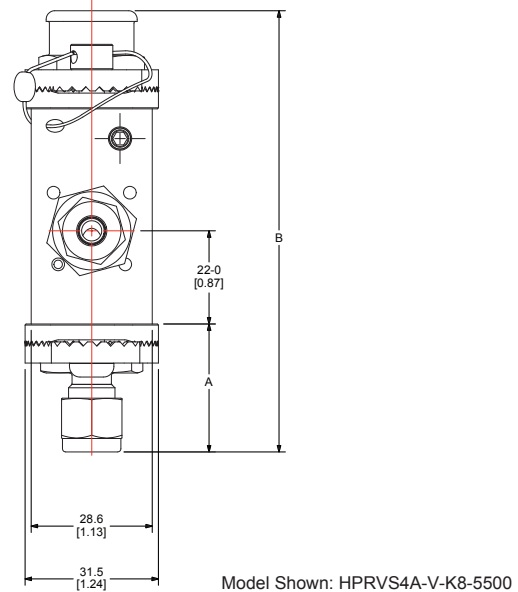
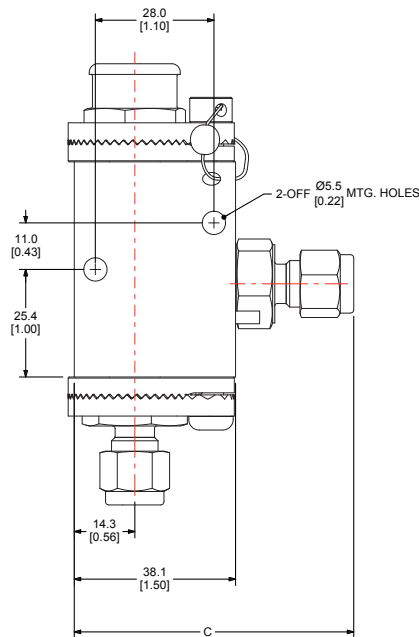
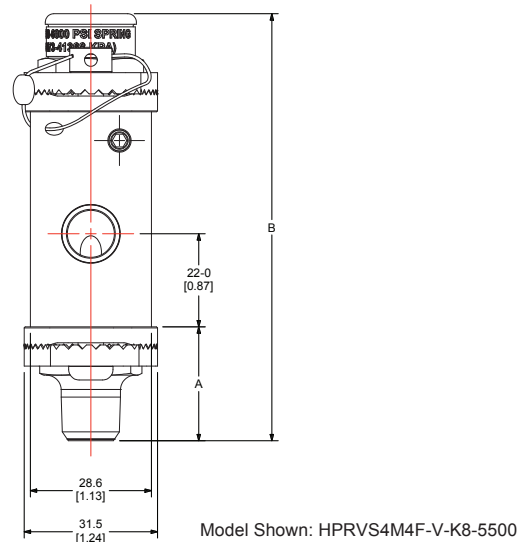
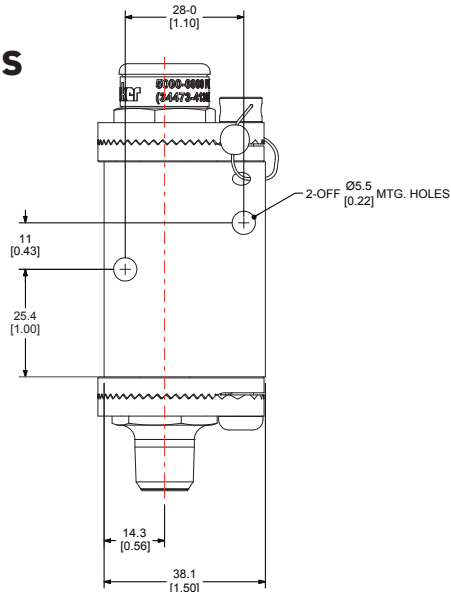
M - ANSI/ASME B1.20.1 External pipe threads

F - ANSI/ASME B1.20.1 Internal pipe threads



HPRV (High Pressure)

Dimensions



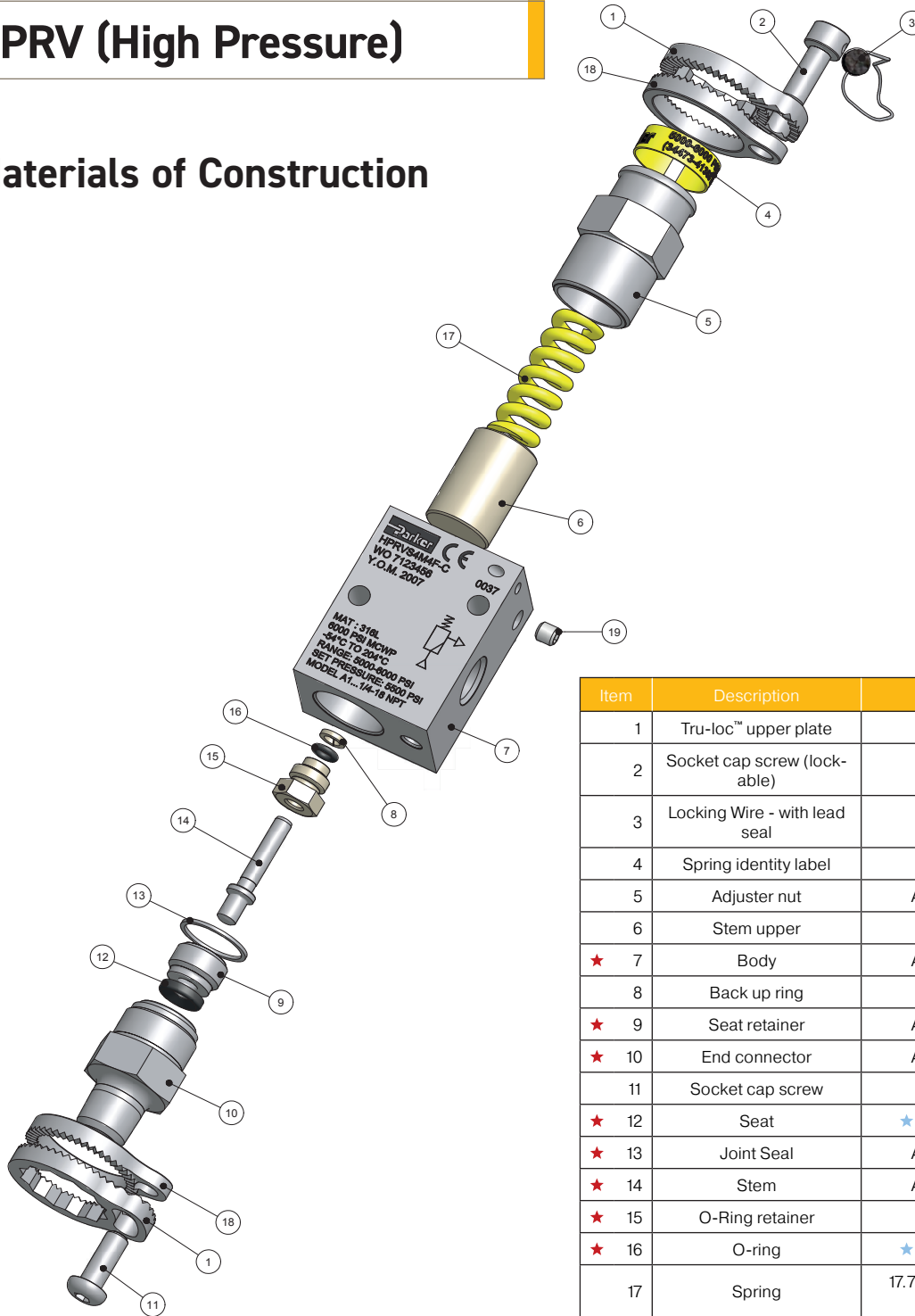
Basic Part Number	End Connections		Flow Data				Dimensions					
	Inlet	Outlet	Outlet		CV	X _T	A		B		C	
			mm	inch			mm	inch	mm	inch	mm	inch
HPRV_4A	1/4" O.D. A-LOK®	1/4" O.D. A-LOK®	3.6	0.14	0.41	0.67	27.2	1.07	105.8	4.17	63.5	2.50
HPRV_4Z	1/4" O.D. CPI™	1/4" O.D. CPI™					27.2	1.07	105.8	4.17	63.5	2.50
HPRV_M6A	6mm O.D. A-LOK®	6mm O.D. A-LOK®					27.2	1.07	105.8	4.17	63.5	2.50
HPRV_M6Z	6mm O.D. CPI™	6mm O.D. CPI™					27.2	1.07	105.8	4.17	63.5	2.50
HPRV_4M4F	1/4-18 NPT (male)	1/4-18 NPT (Fe-male)					26.9	1.06	105	4.13	NA	

For A-LOK® and CPI™, dimensions are measured with nuts in the finger tight position
 Gas flow will be choked when $P_1 - P_2 / P_1 = X_T$

[X] denotes dimensions in inches

HPRV (High Pressure)

Materials of Construction



Item	Description	Material
1	Tru-loc™ upper plate	316 Stainless Steel
2	Socket cap screw (lock-able)	316 Stainless Steel
3	Locking Wire - with lead seal	316 Stainless Steel
4	Spring identity label	Vinyl
5	Adjuster nut	ASTM A 479 type 316
6	Stem upper	PEEK
★ 7	Body	ASTM A 479 type 316
8	Back up ring	PTFE
★ 9	Seat retainer	ASTM A 479 type 316
★ 10	End connector	ASTM A 479 type 316
11	Socket cap screw	316 Stainless Steel
★ 12	Seat	★ Fluorocarbon Rubber
★ 13	Joint Seal	ASTM A 479 type 316
★ 14	Stem	ASTM A 479 type 316
★ 15	O-Ring retainer	PEEK
★ 16	O-ring	★ Fluorocarbon Rubber
17	Spring	17.7 Stainless Steel (Colour Coded)
18	Tru-loc™ lower plate	316 Stainless Steel
19	Grub Screw	316 Stainless Steel

★ Wetted parts.

★ Optional seat and seal materials are located in How to Order section.

Declaration of PED Compliance

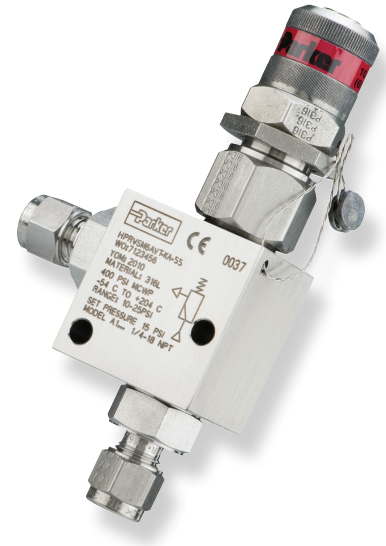
This relief valve conforms to the Pressure Equipment Directive 97/23/EC, Safety Accessories / Category IV, as per article 1 section 2.1.3. CE 0037. All valves are CE marked and supplied with a full declaration of conformity. Parker Hannifin has been audited by Zurich Risk Services and meets the requirements of assessment procedure module H1 and awarded an EC Design Examination Certificate EN – 044020/B1.

These valves also conform to Directive 94/9/EC relating to equipment intended for use in potentially explosive atmospheres and is ATEX certified.

Introduction: Low Pressure Relief Valve

The Parker Low Pressure Relief Valve provides an automatic protection mechanism for process instrumentation systems. When upstream pressure exceeds the closing force exerted by the valve's spring, the lower stem opens and permits flow through the valve's outlet port - which can be ducted to a safe place or released to atmosphere. Flow rate increases proportionately to the increase in upstream pressure.

CE marked and certified to the highest Category-IV level of the Pressure Equipment Directive (PED), the valve's design provides users with accurate and consistent cracking and resealing operation.



Features

- **Pressure settings are externally adjustable. Six different spring ranges provide greater system sensitivity and enhanced performance**
- **Colour coded springs and labels indicate spring cracking range**
- **Lock wire feature secures a given pressure setting**
- **Back pressure has minimum effect on cracking pressure**
- **Orifice size: 5.2mm (0.203")**
- **Multiple end connections available**

Specifications

Working Pressure

Maximum Cold Working Pressure: 400 psi (27.6 bar).
Up to 600 psi (41 bar) during relief with no internal seal damage.

Cracking Pressure

Four springs, from 50 psi to 400 psi in the following ranges: 50-100 psi (3.4-6.9 bar); 100-150 psi (6.9-10.3 bar); 150-225 psi (10.3-15.5 bar); 225-400 psi (15.5-27.6 bar).

Cracking pressure within 3% of set pressure.
Reseat pressure within 15% of cracking pressure.

Note: Valves which are not actuated for a period of time may initially crack at higher than set pressures.

IMPORTANT INFORMATION: These relief valves will be despatched adjusted to the users selected set pressure, fully according to the Pressure Equipment Directive, as described above. Any additional adjustment, re-setting or intervention by the user or any other person(s) invalidates this statement, and responsibility for ensuring conformance to the Pressure Equipment Directive passes to that person(s) and/or the user.

Maximum Relieving Flow

Water 2.4l/min @ 10 psi set pressure with zero back pressure. Nitrogen 6.8 l/min @ 10 psi set pressure with zero back pressure. Both at ambient temperature.

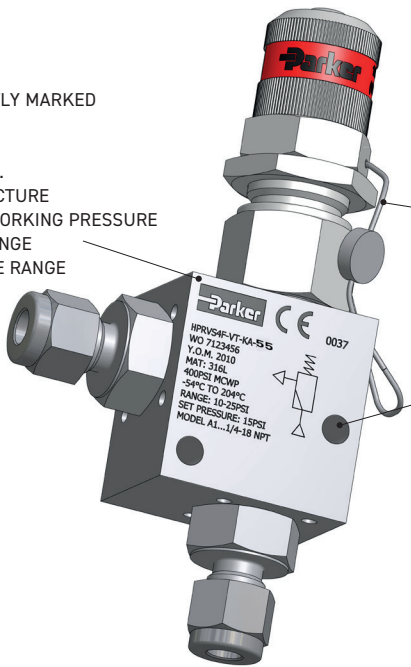
Note: For a 'safe' system the relieving flow capacity should exceed the maximum input flow. The maximum discharge capacity is not a given design specification for this valve, therefore the maximum discharge capacity quoted within the instructions is for informative purposes only. Should this guideline value not be sufficient to protect equipment or systems from exceeding maximum pressure, another type of relief or safety valve should be used.

IMPORTANT NOTE: These relief valves are not designed as safety relief valves. As such flow calculations are not available.

HPRV (Low Pressure)

Seal & Spring Options

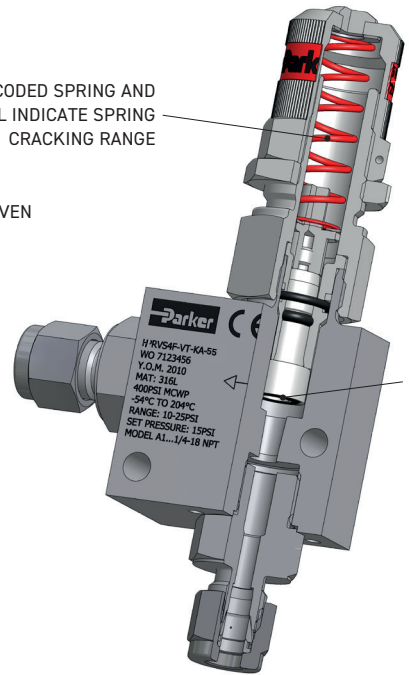
BODY PERMANENTLY MARKED WITH CE MARK
 MANUFACTURER
 WORKS ORDER NO.
 YEAR OF MANUFACTURE
 MAXIMUM COLD WORKING PRESSURE
 TEMPERATURE RANGE
 SPRING PRESSURE RANGE
 SET PRESSURE
 CONNECTIONS
 FLOW DIAGRAM



LOCKING WIRE FEATURE SECURES A GIVEN PRESSURE SETTING

MOUNTING HOLES PROVIDE A STANDARD OPTIONAL MOUNTING BRACKET AVAILABLE

COLOUR CODED SPRING AND LABEL INDICATE SPRING CRACKING RANGE



CAPTURED O-RING SEAT IS BLOW OUT RESISTANT

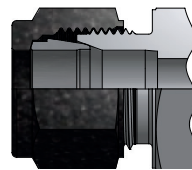
Mounting holes provided as standard. Optional mounting bracket available.

Seal Material Options

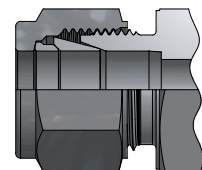
Designator	Material	Shore Hardness	Temperature Range
V	Fluorocarbon Rubber	90	-23°C to +204°C (-10°F to +400°F)
EPR	Ethylene Propylene Rubber	90	-57°C to +135°C (-70°F to +275°F)
BN	Nitrile Rubber (Buna-N)	90	-34°C to +107°C (-30°F to +225°F)
KZ	Highly Fluorinated Fluorocarbon Rubber	90	-29°C to +93°C (-20°F to +200°F)
NE	Neoprene Rubber	70	-43°C to +121°C (-45°F to +250°F)

Available End Connections

Z - Single ferrule CPI™ compression port



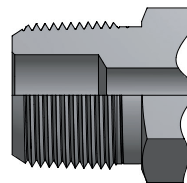
A - Two ferrule A-LOK® compression port



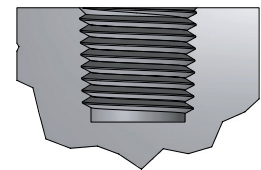
Spring Cracking Pressures

Designator	Pressure Range		Colour Code
	psi	bar	
KC	50-100	3.4-6.9	Purple
KD	100-150	6.9-10.3	Dark Green
KE	150-225	10.3-15.5	Dark Blue
KG	225-400	15.5-27.6	White

M - ANSI/ASME B1.20.1 External pipe threads

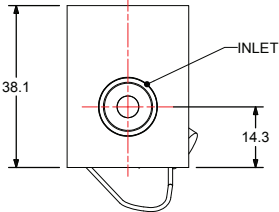
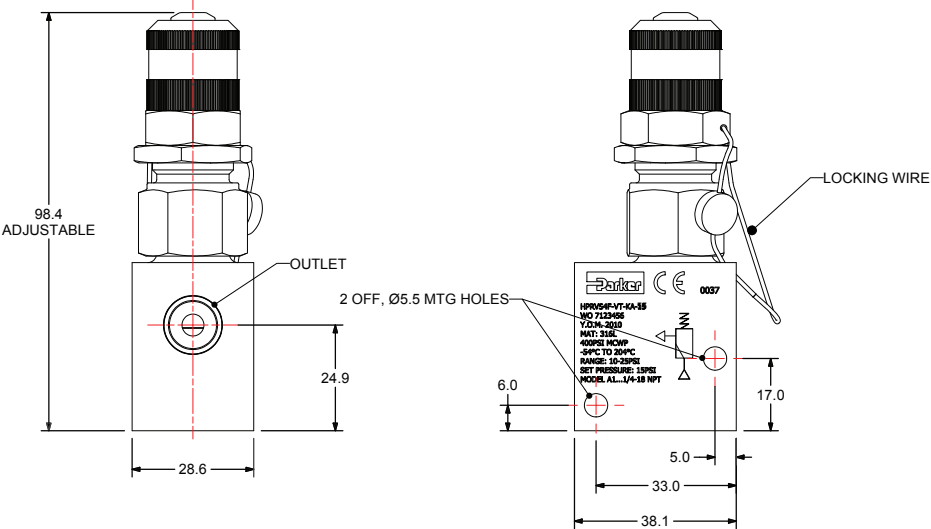


F - ANSI/ASME B1.20.1 Internal pipe threads



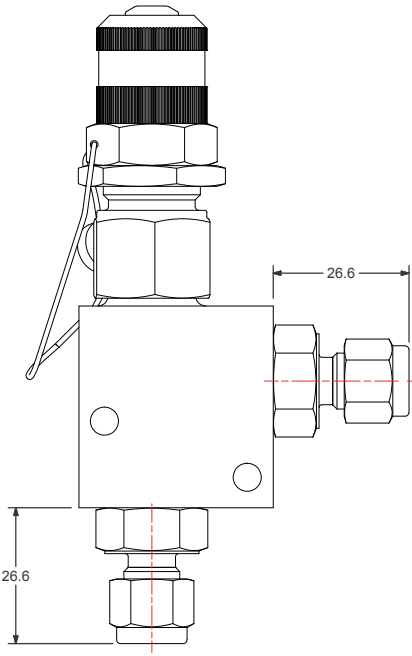
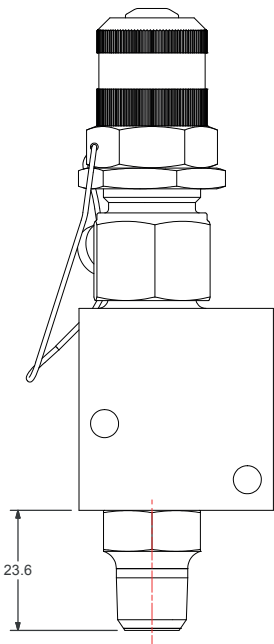
HPRV (Low Pressure)

Dimensions



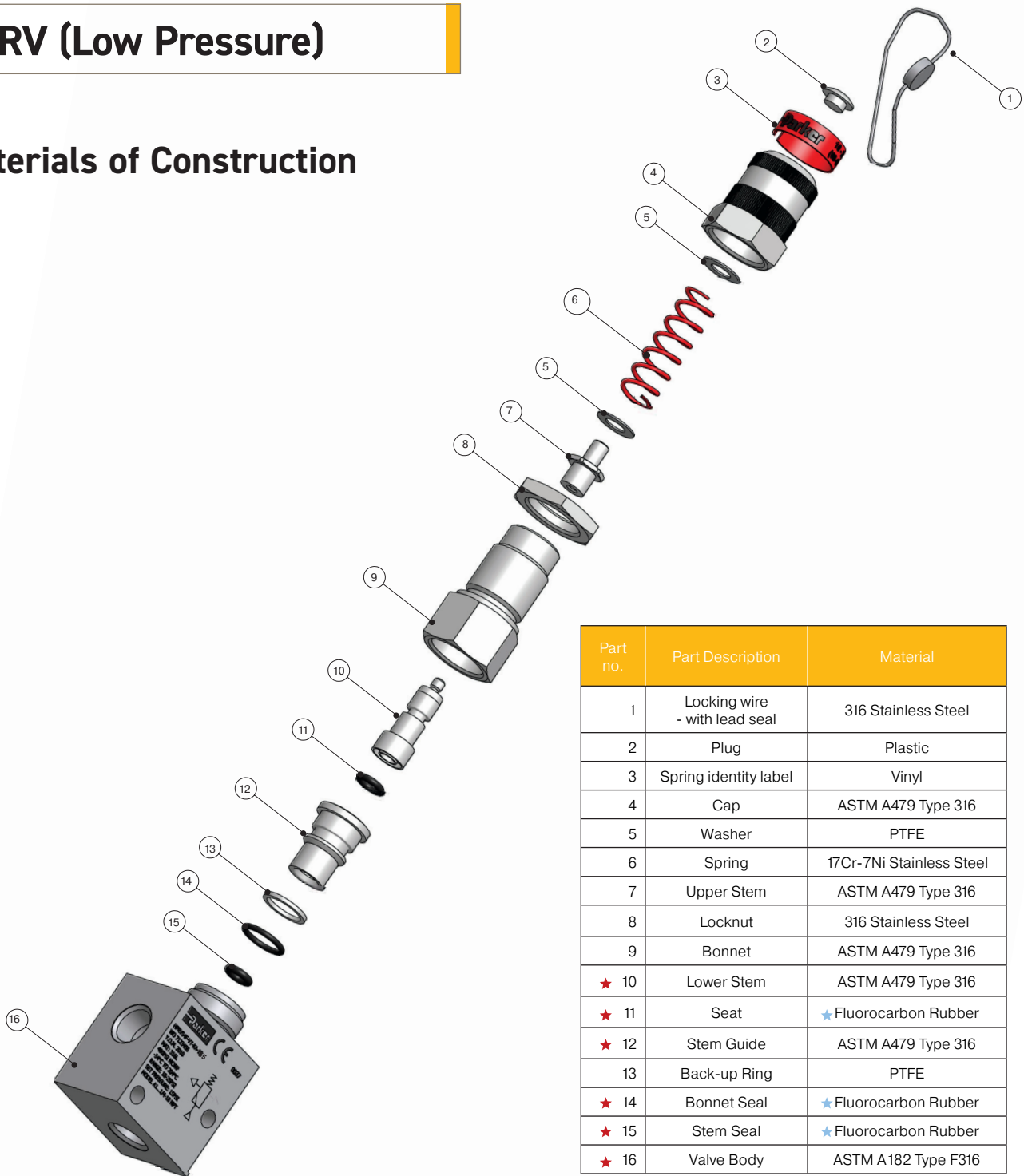
1/4-18 NPT (MALE) INLET

A-LOK® INLET / OUTLET



HPRV (Low Pressure)

Materials of Construction



Part no.	Part Description	Material
1	Locking wire - with lead seal	316 Stainless Steel
2	Plug	Plastic
3	Spring identity label	Vinyl
4	Cap	ASTM A479 Type 316
5	Washer	PTFE
6	Spring	17Cr-7Ni Stainless Steel
7	Upper Stem	ASTM A479 Type 316
8	Locknut	316 Stainless Steel
9	Bonnet	ASTM A479 Type 316
★ 10	Lower Stem	ASTM A479 Type 316
★ 11	Seat	★ Fluorocarbon Rubber
★ 12	Stem Guide	ASTM A479 Type 316
13	Back-up Ring	PTFE
★ 14	Bonnet Seal	★ Fluorocarbon Rubber
★ 15	Stem Seal	★ Fluorocarbon Rubber
★ 16	Valve Body	ASTM A182 Type F316

★ Optional seat and seal materials are listed in 'How To Order' section.

★ Wetted parts.

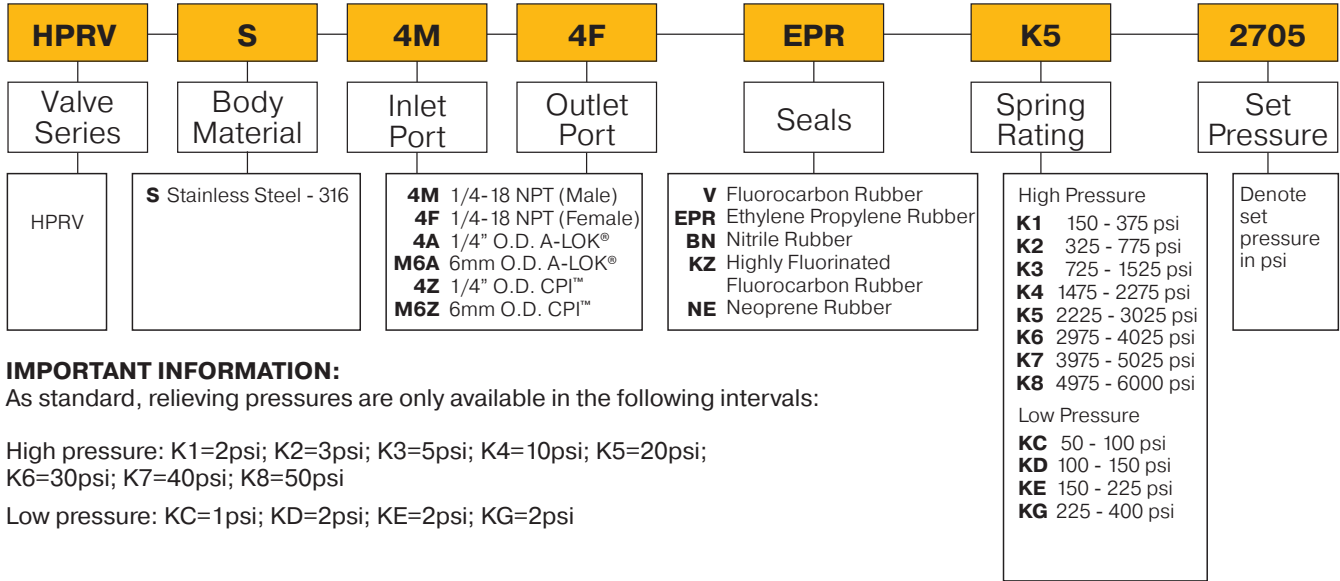
Declaration of PED Compliance

This relief valve conforms to the Pressure Equipment Directive 97/23/EC, Safety Accessories / Category IV, as per article 1 section 2.1.3. CE 0037. All valves are CE marked and supplied with a full declaration of conformity. Parker Hannifin has been audited by Zurich Risk Services and meets the requirements of assessment procedure module H1 and awarded an EC Design Examination Certificate CEN-060749/B1.

These valves also conform to Directive 94/9/EC relating to equipment intended for use in potentially explosive atmospheres and is ATEX certified.

How to Order - HPRV

The correct part number is easily derived from the following number sequence.
The seven product characteristics required are coded as shown below.



IMPORTANT INFORMATION:
As standard, relieving pressures are only available in the following intervals:

High pressure: K1=2psi; K2=3psi; K3=5psi; K4=10psi; K5=20psi;
K6=30psi; K7=40psi; K8=50psi

Low pressure: KC=1psi; KD=2psi; KE=2psi; KG=2psi

Example



Describes a HPRV Series proportional relief valve equipped with 6mm A-LOK® compression inlet and outlet ports, ethylene propylene rubber seals, stainless steel construction, fitted with A 2225-3025 psi spring. Supplied pre-set at 2505 psi.

Spares

The following spring and seal kits are only available for low pressure valves.

Spring Kits

Designator	Kit Part Number	Pressure Range		Colour Code
		psi	bar	
KC	KIT-RL-4SP-50-100	50-100	3.4-6.9	Purple
KD	KIT-RL-4SP-100-150	100-150	6.9-10.3	Dark Green
KE	KIT-RL-4SP-150-225	150-225	10.3-15.5	Dark Blue
KG	KIT-RL-4SP-225-400	225-400	15.5-27.6	White

Spring kit contains:
Spring; Coded label; PTFE washers;
Locking wire / lead seal; Installation instructions

Seal Kits

Seal kit order number	Seat / Seal Material
KIT - RL4 - VT	Fluorocarbon Rubber
KIT - RL4 - BNT	Nitrile Rubber
KIT - RL4 - EPRT	Ethylene Propylene Rubber
KIT - RL4 - NET	Neoprene Rubber
KIT - RL4 - KZT	Highly Fluorinated Fluorocarbon Rubber

Seal kit contains:
Stem seal; Bonnet seal; PTFE Back-Up Ring;
Lower Stem Assembly

IMPORTANT INFORMATION: These relief valves will be despatched adjusted to the users selected set pressure, fully according to the Pressure Equipment Directive, as described above. Any additional adjustment, re-setting or intervention by the user or any other person(s) invalidates this statement, and responsibility for ensuring conformance to the Pressure Equipment Directive passes to that person(s) and/ or the user.

Parker Worldwide

Europe, Middle East, Africa

AE – United Arab Emirates,

Dubai

Tel: +971 4 8127100

AT – Austria, St. Florian

Tel: +43 (0)7224 66201

AZ – Azerbaijan, Baku

Tel: +994 50 2233 458

BE/NL/LU – Benelux,

Hendrik Ido Ambacht

Tel: +31 (0)541 585 000

BY – Belarus, Minsk

Tel: +48 (0)22 573 24 00

CH – Switzerland, Etoy

Tel: +41 (0)21 821 87 00

CZ – Czech Republic,

Prague

Tel: +420 284 083 111

DE – Germany, Kaarst

Tel: +49 (0)2131 4016 0

DK – Denmark, Ballerup

Tel: +45 43 56 04 00

ES – Spain, Madrid

Tel: +34 902 330 001

FI – Finland, Vantaa

Tel: +358 (0)20 753 2500

FR – France, Contamine s/Arve

Tel: +33 (0)4 50 25 80 25

GR – Greece

Tel: +30 69 44 52 78 25

HU – Hungary, Budaörs

Tel: +36 23 885 470

IE – Ireland, Dublin

Tel: +353 (0)1 466 6370

IL – Israel

Tel: +39 02 45 19 21

IT – Italy, Corsico (MI)

Tel: +39 02 45 19 21

KZ – Kazakhstan, Almaty

Tel: +7 7273 561 000

NO – Norway, Asker

Tel: +47 66 75 34 00

PL – Poland, Warsaw

Tel: +48 (0)22 573 24 00

PT – Portugal

Tel: +351 22 999 7360

RO – Romania, Bucharest

Tel: +40 21 252 1382

RU – Russia, Moscow

Tel: +7 495 645-2156

SE – Sweden, Borås

Tel: +46 (0)8 59 79 50 00

SL – Slovenia, Novo Mesto

Tel: +386 7 337 6650

TR – Turkey, Istanbul

Tel: +90 216 4997081

UK – United Kingdom, Warwick

Tel: +44 (0)1926 317 878

ZA – South Africa, Kempton Park

Tel: +27 (0)11 961 0700

North America

CA – Canada, Milton, Ontario

Tel: +1 905 693 3000

US – USA, Cleveland

Tel: +1 216 896 3000

Asia Pacific

AU – Australia, Castle Hill

Tel: +61 (0)2-9634 7777

CN – China, Shanghai

Tel: +86 21 2899 5000

HK – Hong Kong

Tel: +852 2428 8008

IN – India, Mumbai

Tel: +91 22 6513 7081-85

JP – Japan, Tokyo

Tel: +81 (0)3 6408 3901

KR – South Korea, Seoul

Tel: +82 2 559 0400

MY – Malaysia, Shah Alam

Tel: +60 3 7849 0800

NZ – New Zealand, Mt Wellington

Tel: +64 9 574 1744

SG – Singapore

Tel: +65 6887 6300

TH – Thailand, Bangkok

Tel: +662 186 7000

TW – Taiwan, Taipei

Tel: +886 2 2298 8987

South America

AR – Argentina, Buenos Aires

Tel: +54 3327 44 4129

BR – Brazil, Sao Jose dos Campos

Tel: +55 080 0727 5374

CL – Chile, Santiago

Tel: +56 22 303 9640

MX – Mexico, Toluca

Tel: +52 72 2275 4200

European Product Information Centre

Free phone: 00 800 27 27 5374

(from AT, BE, CH, CZ, DE, DK, EE, ES, FI, FR, IE, IL, IS, IT, LU, MT, NL, NO, PL, PT, RU, SE, SK, UK, ZA)

Parker Hannifin Manufacturing Ltd
Instrumentation Products Division
Europe

Riverside Road,
Pottington Business Park,
Barnstaple, Devon, EX31 1NP
United Kingdom
Tel.: +44 (0) 1271 313131
www.parker.com/ipd

Parker Hannifin Corporation
Instrumentation Products Division

1005 A Cleaner Way
Huntsville, AL 35805
USA
Tel: + 1 (256) 881-2040
www.parker.com/ipd

