

Hi-Check Non-Return Valve

up to 10,000 psi/689 bar



Product Description:

These high performance check valves offer the user two options for cold working pressure ratings of Class 2500 and Class 4500, with an opening pressure of 10 psi max.

By offering a true two piece design, body leakage paths are kept to a minimum.

With the added opportunity to select integral compression ends the user can eliminate the use of taper threads and thread sealant. This avoids system contamination, reduces potential leakage paths, weight, space and, therefore, installation costs.



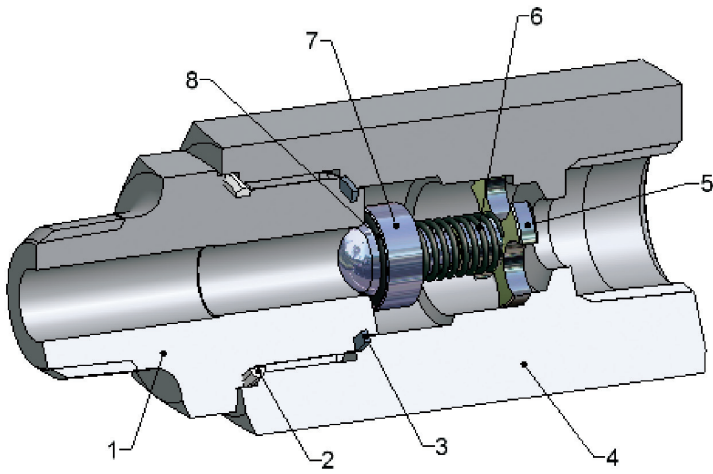
Product Features:

- Two-piece metal seated body design - minimal leakage paths
- 4:1 Pressure boundary designed safety factor
- Designed to meet pressure and temperature requirements of ANSI/ASME B.16.34, as limited by the seat materials
- Nitrile, Fluorocarbon, EPR and Highly Fluorinated Fluorocarbon Rubber seat materials available
- Integral compression ends available
- Factory tested - all units fully hydrostatically tested to 1.5 x max. W.P
- Connector thread environmentally sealed
- NACE MR 01 75/ISO 15156 compliant materials available

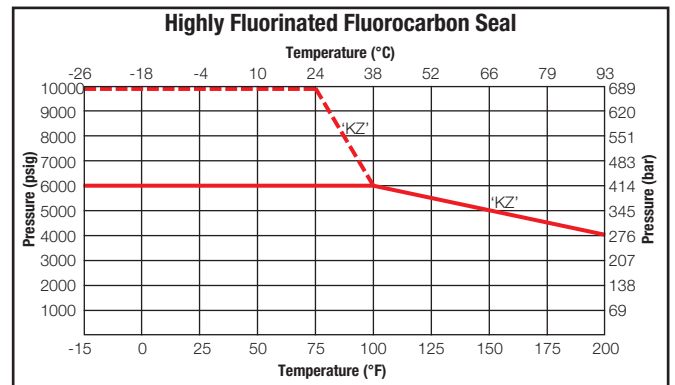
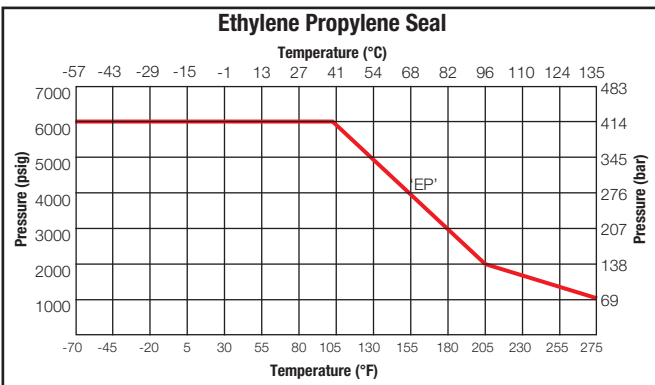
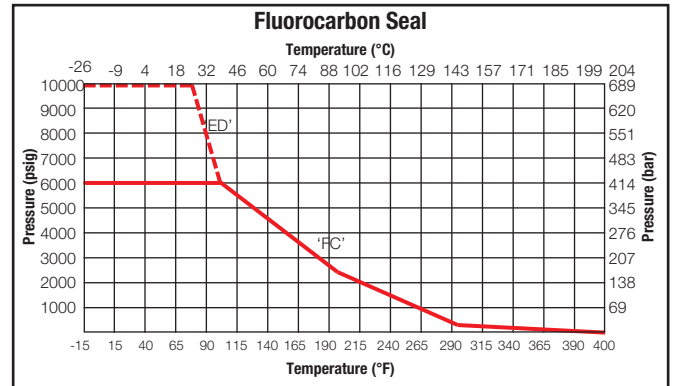
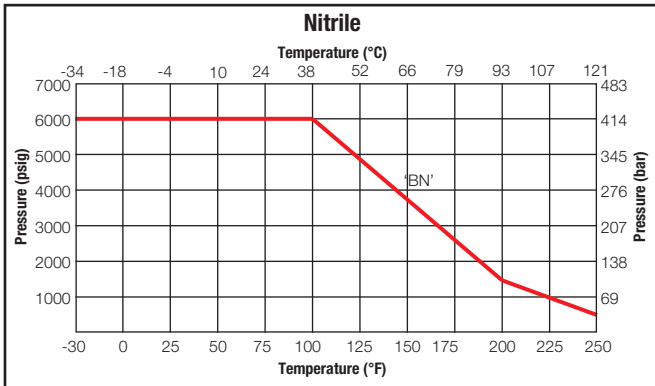
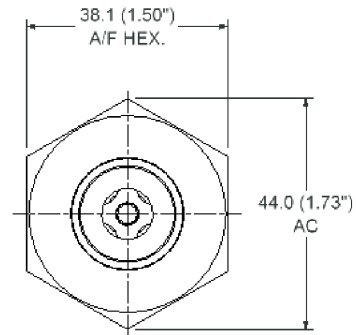
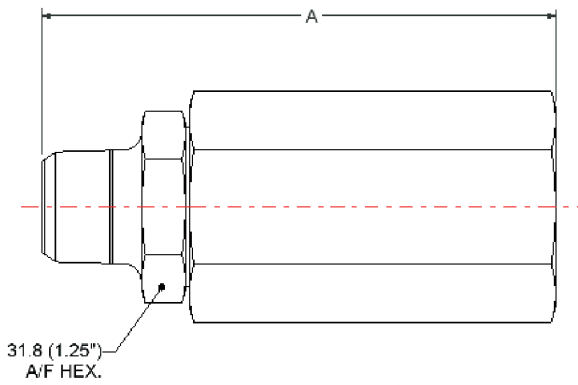
Product Benefits:

- Self-centering Seal
- Low noise
- Rugged Design - Threads not in contact with media
- Zero coil bounding check spring
- Explosive decompression/Extrusion resistance
- o-rings for High Pressure Applications
- Optional secured Locking Connector





Item	Description
1	Adaptor
2	E-seal™
3	Joint Seal
4	Body
5	Spring Support
6	Spring
7	Poppet
8	O-ring



Note: To determine MPa, multiply bar by 0.1 Key: — 6,000 psi - - - 10,000 psi

Part Number	Part Number	Inlet	Outlet	Dimensions
6000 psig (414 barg)	10,000 psig (689 barg)	Female	Female	A mm (inch)
HCY*4FF-#	HCY*4FFHP-#	1/4" NPT	1/4" NPT	74.7 (2.94)
HCY*6FF-#	HCY*6FFHP-#	3/8" NPT	3/8" NPT	79.7 (3.14)
HCY*8FF-#	HCY*8FFHP-#	1/2" NPT	1/2" NPT	87.9 (3.46)
6000 psig (414 barg)	10,000 psig (689 barg)	Male	Female	A mm (inch)
HCP*4M4F-#	HCP*4M4FHP-#	1/4" NPT	1/4" NPT	89.7 (3.53)
HCP*8M8F-#	HCP*8M8FHP-#	1/2" NPT	1/2" NPT	97.9 (3.90)
6000 psig (414 barg)	10,000 psig (689 barg)	A-LOK®	A-LOK®	A mm (inch)
HCY*4A-#	HCY*4AHP-#	1/4" OD	1/4" OD	106.8 (4.20)
HCY*6A-#	HCY*6AHP-#	3/8" OD	3/8" OD	107.3 (4.23)
HCY*8A-#	HCY*8AHP-#	1/2" OD	1/2" OD	113.7 (4.48)
HCY*M6A-#	HCY*M6AHP-#	6mm OD	6mm OD	106.8 (4.20)
HCY*M10A-#	HCY*M6AHP-#	10mm OD	10mm OD	107.8 (4.25)
HCY*M12A-#	HCY*M6AHP-#	12mm OD	12mm OD	113.7 (4.48)

*Insert material code - select from material matrix (B = Standard 316 Stainless Steel)
 # O-ring code - select from O-ring compound matrix
 For CPI™ change A to Z. "A" Dimensions given for A-LOK® are finger tight.
 NACE only available on Pipe Thread Connections. For Compression ended valve pressures consult tube rating table.

Material	*Insert
316 Stainless Steel	B
Duplex	E
Monel	D

Available Options	Part Number
NACE	NC
Secured End Connector	LC

Above options to be inserted prior to O-ring suffix
 Example 'HCYB8FFHPNC-ED'
 Hi-Check 10mm 316 St.Stl 1/2" NPT (FEM)
 10,000 psi NACE with Fluorocarbon V1238-95 rubber

O-Ring Suffix # 6000 psig (414 barg)	Compound Options
FC	Fluorocarbon Rubber FPM 75
BN	Nitrile
EP	Ethylene Propylene Rubber
ED	Fluorocarbon Rubber V1238-95
KZ	Highly Fluorinated Fluorocarbon Seal
O-Ring Suffix # 10,000 psig (689 barg)	Compound Options
ED	Fluorocarbon Rubber V1238-95
KZ	Highly Fluorinated Fluorocarbon Seal

Specifications:

Cold Working Pressure Ratings

- 6000 psig (414 barg) & 10,000 psig (689 barg)

Temperature Rating:

Material Temperatures limited to working temperatures of seals below:

6000 psig (414 barg)

- Fluorocarbon -15°F to 400°F (-26°C to 204°C)
- Nitrile -30°F to 275°F (-34°C to 135°C)
- Ethylene Propylene Rubber -70°F to 275°F (-57°C to 135°C)
- Highly Fluorinated Fluorocarbon Rubber -15°F to 200°F (-26°C to 93°C)

10,000 psig (689 barg) Option

- Fluorocarbon V1238-95 -15°F to 400°F (-26°C to 204°C)
- Highly Fluorinated Fluorocarbon Rubber -15°F to 200°F (-26°C to 93°C)

Crack and Re-seal

- Cracking Pressure: <10 psi (0.69 barg)
- Re-seal Pressure: <50 psi (3.45 barg)

Note: Hi-check non-return valves which are not actuated for a period of time, may initially crack at a higher pressure than the above cracking pressure listed.

Cv: 1.54

Parker Worldwide

AE – UAE, Dubai

Tel: +971 4 8875600

parker.me@parker.com

AR – Argentina, Buenos Aires

Tel: +54 3327 44 4129

AT – Austria, Wiener Neustadt

Tel: +43 (0)2622 23501-0

parker.austria@parker.com

AT – Eastern Europe,

Wiener Neustadt

Tel: +43 (0)2622 23501 970

parker.easteurope@parker.com

AU – Australia, Castle Hill

Tel: +61 (0)2-9634 7777

AZ – Azerbaijan, Baku

Tel: +994 50 2233 458

parker.azerbaijan@parker.com

BE/LX – Belgium, Nivelles

Tel: +32 (0)67 280 900

parker.belgium@parker.com

BR – Brazil, Cachoeirinha RS

Tel: +55 51 3470 9144

BY – Belarus, Minsk

Tel: +375 17 209 9399

parker.belarus@parker.com

CA – Canada, Grimsby, Ontario

Tel +1 905-945-2274

ipd_canada@parker.com

CH – Switzerland, Etoy

Tel: +41 (0) 21 821 02 30

parker.switzerland@parker.com

CN – China, Shanghai

Tel: +86 21 5031 2525

CZ – Czech Republic, Klecany

Tel: +420 284 083 111

parker.czechrepublic@parker.com

DE – Germany, Kaarst

Tel: +49 (0)2131 4016 0

parker.germany@parker.com

DK – Denmark, Ballerup

Tel: +45 43 56 04 00

parker.denmark@parker.com

ES – Spain, Madrid

Tel: +34 902 33 00 01

parker.spain@parker.com

FI – Finland, Vantaa

Tel: +358 (0)20 753 2500

parker.finland@parker.com

FR – France, Contamine s/Arve

Tel: +33 (0)4 50 25 80 25

parker.france@parker.com

GR – Greece, Athens

Tel: +30 210 933 6450

parker.greece@parker.com

HK – Hong Kong

Tel: +852 2428 8008

HU – Hungary, Budapest

Tel: +36 1 220 4155

parker.hungary@parker.com

IE – Ireland, Dublin

Tel: +353 (0)1 466 6370

parker.ireland@parker.com

IN – India, Mumbai

Tel: +91 22 6513 7081-85

IT – Italy, Corsico (MI)

Tel: +39 02 45 19 21

parker.italy@parker.com

JP – Japan, Fujisawa

Tel: +(81) 4 6635 3050

KR – South Korea, Seoul

Tel: +82 2 559 0400

KZ – Kazakhstan, Almaty

Tel: +7 7272 505 800

parker.easteurope@parker.com

LV – Latvia, Riga

Tel: +371 6 745 2601

parker.latvia@parker.com

MX – Mexico, Apodaca

Tel: +52 81 8156 6000

MY – Malaysia, Shah Alam

Tel: +603-78490800

NL – The Netherlands,

Oldenzaal

Tel: +31 (0)541 585 000

parker.nl@parker.com

NO – Norway, Stavanger

Tel: +47 (0)51 826 300

parker.norway@parker.com

NZ – New Zealand, Mt Wellington

Tel: +64 9 574 1744

PL – Poland, Warsaw

Tel: +48 (0)22 573 24 00

parker.poland@parker.com

PT – Portugal, Leca da Palmeira

Tel: +351 22 999 7360

parker.portugal@parker.com

RO – Romania, Bucharest

Tel: +40 21 252 1382

parker.romania@parker.com

RU – Russia, Moscow

Tel: +7 495 645-2156

parker.russia@parker.com

SE – Sweden, Spånga

Tel: +46 (0)8 59 79 50 00

parker.sweden@parker.com

SG – Singapore,

Tel: +65 6887 6300

SK – Slovakia, Banská Bystrica

Tel: +421 484 162 252

parker.slovakia@parker.com

SL – Slovenia, Novo Mesto

Tel: +386 7 337 6650

parker.slovenia@parker.com

TH – Thailand, Bangkok

Tel: +662 717 8140

TR – Turkey, Istanbul

Tel: +90 216 4997081

parker.turkey@parker.com

TW – Taiwan, Taipei

Tel: +886 2 2298 8987

UA – Ukraine, Kiev

Tel: +380 44 494 2731

parker.ukraine@parker.com

UK – United Kingdom,
Warwick

Tel: +44 (0)1926 317878

parker.uk@parker.com

US – USA, Cleveland

Tel: +1 216 896 3000

VE – Venezuela, Caracas

Tel: +58 212 238 5422

ZA – South Africa,

Kempton Park

Tel: +27 (0)11 961 0700

parker.southafrica@parker.com

European Product Information Centre

Free phone: 00 800 27 27 5374

(from AT, BE, CH, CZ, DE, DK, EE, EI, ES, FI,
FR, IT, NL, NO, PL, RU, SE, SK, UK, ZA)

